

Top reasons to buy/upgrade

The time is now.

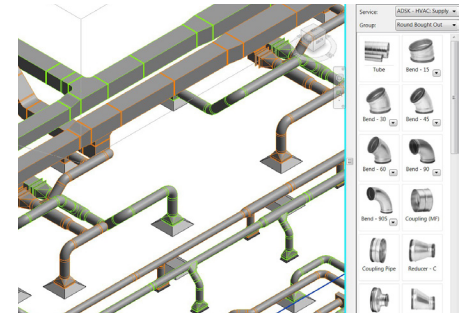
There comes a time when you know it is the right moment for your next wave of technological investment.

> Databases and content compatible with Autodesk® Revit®

GREAT FOR NEW USERS & UPGRADES

Autodesk® Fabrication CADmep uses databases of parametric and manufacturer-specific components and fittings for detailing. Typically, these components have been restricted to Fabrication products. With Fabrication CADmep 2016, you can share models created with these components more seamlessly with Autodesk Revit 2016 and Autodesk Revit MEP 2016. This is especially useful if you **1)** work on projects that require Revit deliverables and **2)** see yourself moving to Revit-based workflows in the future.

Result: Are you backing the right horse? Investing with Autodesk technology could help safeguard your software investment decision for years to come, and help you meet industry and project demands today.



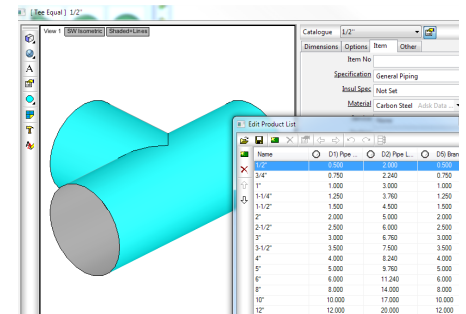
Fabrication databases can be used in Revit as Fabrication Parts.

> Comprehensive, unlocked sample database of content

GREAT FOR NEW USERS & UPGRADES

Databases and content should be the backbone of your business. They influence almost everything – from the initial estimate to procurement, fabrication, and installation. Fabrication CADmep 2016 makes it easier for you to build libraries of content that meet your specific circumstances and requirements. A comprehensive and unlocked sample dataset is provided with Fabrication CADmep 2016 that can be duplicated and altered to reflect the components you regularly use. Build a database that matches your business more simply and potentially benefit from increased efficiencies across departments.

Result: More quickly build databases of content that meet your specific business needs by using the comprehensive unlocked sample dataset provide with Fabrication CADmep 2016.



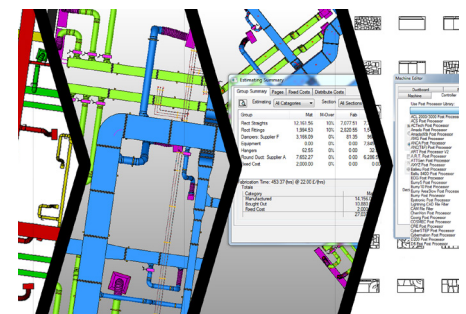
Sample components can be duplicated and altered to meet business needs.

> Single database and library for estimating, detailing, and fabrication

GREAT FOR NEW USERS & UPGRADES

Industry associations (such as MCAA & SMACNA) have given attention to the benefits that can be derived from aligning company databases. Fabrication CADmep 2016 shares a database of building content and data with estimating and sheet metal manufacturing tools, Autodesk® Fabrication ESTmep and Autodesk® Fabrication CAMduct. By aligning your databases and having one common central repository for data, you can gain greater efficiency by eliminating rework between the original estimate, the detailed model, and fabrication taking place on the shop floor.

Result: Reduce rework and inefficiency by aligning company databases between estimating, detailing, and fabrication. Efficiencies gained can help you gain a competitive advantage due to increased productivity.



A common database helps you go from original estimate to fabrication without rework

> **Direct connection with other Autodesk Construction software**

GREAT FOR NEW USERS & UPGRADES

Autodesk Construction solutions are making a big impact on the industry, with tools such as Autodesk® Navisworks®, Autodesk® Point Layout, and Autodesk® BIM 360 Glue & Autodesk® BIM 360 Field being used more and more by multiple project stakeholders. By investing in Fabrication CADmep, you can more easily integrate with tools such as these now and in the future, helping you collaborate more effectively with other trades and the general contractor.

Result: Keeping it in the Autodesk family can help streamline processes and workflows between other trades and with the general contractor.



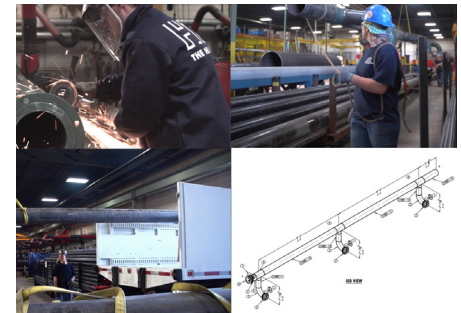
Directly connect models with tools such as BIM 360 Glue. Image courtesy of PCL

> **Detailed shop drawing creation**

GREAT FOR NEW USERS

Creating shop drawings that are clear, detailed, and understandable on the shop floor is important as it helps reduce errors in the fabrication process. With Fabrication CADmep 2016, you can quickly create spool sheets from the virtual model that can be annotated and marked with almost any relevant information that you need. These spool sheets can then be printed and shared with the shop to commence fabrication and uploaded to tools like BIM 360 Field so they can be accessed on a tablet in the shop or in the field.

Result: Detailed shop drawings, or spool sheets, that have been generated from the virtual model can help reduce errors in the fabrication process and simplify understanding on the shop floor.



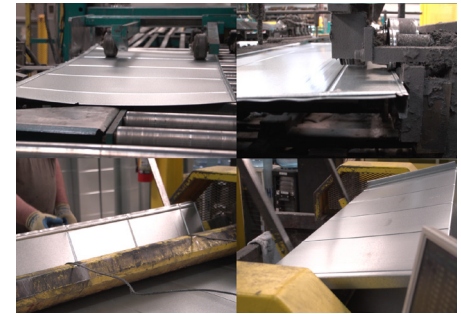
Detailed spool sheets help you provide clear instructions to the shop floor.

> **Direct interface with sheet metal manufacturing**

GREAT FOR NEW USERS

Functions and processes in a business should work together. Many sheet metal contractors are still wasting money by modelling in one environment and then passing information off to the fabrication shop for manual processing. As the Fabrication software databases are integrated, you can remove this step and go straight to manufacture from your virtual model. Reinvest your labor time on something that adds value to your business, rather than on redundant tasks that be more virtually eliminated.

Result: Spend more time on the things that add value to your business by almost eliminating manual input for sheet metal manufacturing.



Directly interface with your burning tables or decoilers using the virtual model.

Now is the time for your next technology transition

Fabrication CADmep 2016 software can help you maintain your competitive advantage in an evolving construction industry. Now is the time to make the change or upgrade to the latest version.

For more information about Fabrication CADmep 2016, go to www.autodesk.com/fabrication

To locate the reseller nearest you, visit www.autodesk.com/locateareseller

Discover why so many mechanical contracting firms already use Autodesk Fabrication software.